



120V:277V Series

Step-Up Autotransformers for Lighting Applications

Features

- Input Voltage: 120V, 60 Hz
- Output Voltage: 277V, 60 Hz
- Insulation Rating: 130°C Class B
- Non-isolated Autotransformer
- 5 Year Warranty - Industry Leading

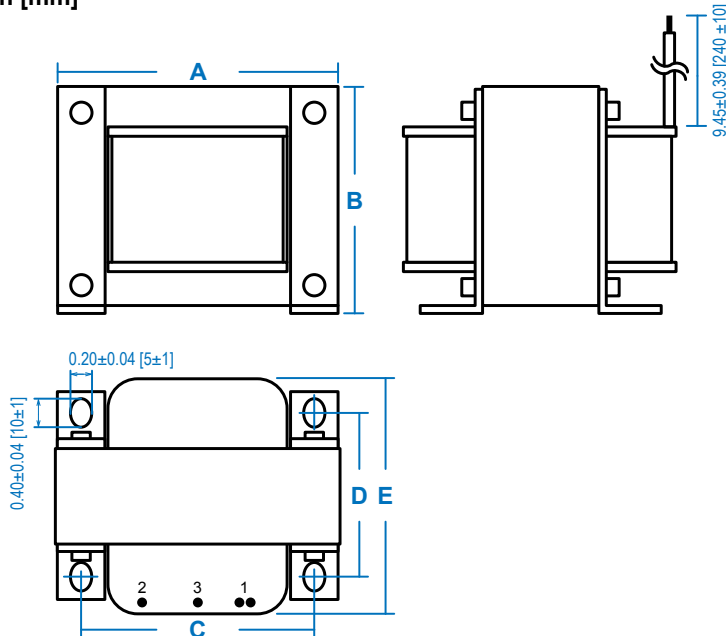
| Step-Up Autotransformers | | | | |
|--------------------------|--------|------------------------|-----------------------|--------------|
| Part Number | Losses | Input Current Max Load | Input Current No Load | Weight (lbs) |
| 120:277-275VA | 18W | 2.29 A | 0.280 A | 7.0 |
| 120:268:277-500VA | 25W | 4.17 A | 0.320 A | 8.6 |



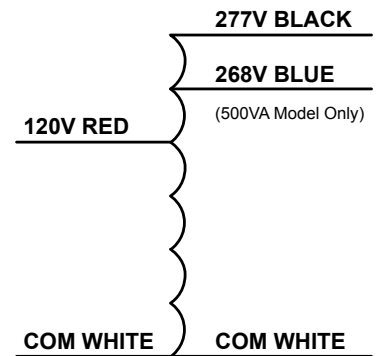
Dimensions

| Model | A | B | C | D | E |
|-------|------------------------|------------------|-----------------------|-----------------------|----------------|
| 275VA | 3.82±0.04 [97.0±1] | 3.35 [85] | 3.15±0.04 [80.0±1] | 2.95±0.04 [75.0±1] | 3.74 [95] |
| 500VA | 4.13±0.04 [105.0±1] | 3.54 [90.0±1] | 3.44±0.04 [87.5±1] | 3.15±0.04 [80.0±1] | 3.86 [98.0] |

in [mm]



Wiring



Specifications subject to change without notice.

Rev 7-26-16

